

# XF

## 530

### Specification sheet

FTT 6X4 Prime Mover



*\*Some optional equipment maybe shown in this brochure.*

#### ENGINES

XF 530 MX-13 (390 kW / 530 hp)

#### GVM

25,200 kg

Max. front 7,100 kg

Max. rear 18,100 kg

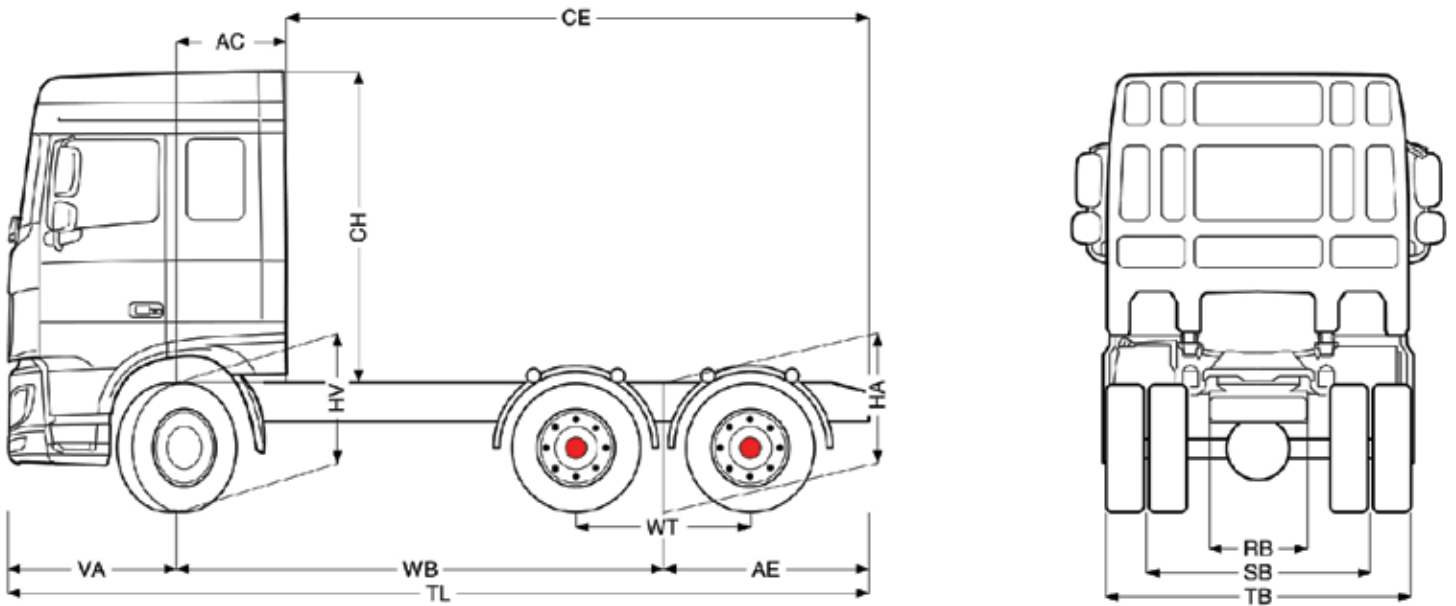
#### GCM

70,000 kg

**THE DAF XF**  
PURE EXCELLENCE

**DAF**

# XF 530



	Wheelbase – AE		Unladen Weight <sup>1)</sup>			Variable Dimensions					
	WB	AE	Front	Rear	Total	AC	CE	CH <sup>2)</sup>	TL	HA <sup>3)</sup>	HA <sup>4)</sup>
COMFORT CAB	3.90	1.55	5200	3530	8730	0.88	4.57	2.21	6.82	1.05	1.03
	WB	AE	Front	Rear	Total	AC	CE	CH <sup>2)</sup>	TL	HA <sup>3)</sup>	HA <sup>4)</sup>
SPACE CAB	3.90	1.55	5381	3530	8911	0.88	4.57	2.51	6.82	1.05	1.03
	WB	AE	Front	Rear	Total	AC	CE	CH <sup>2)</sup>	TL	HA <sup>3)</sup>	HA <sup>4)</sup>
SUPER SPACE CAB	3.90	1.55	5364	3530	8894	0.88	4.57	2.89	6.82	1.05	1.03
	WB	AE	Front	Rear	Total	AC	CE	CH <sup>2)</sup>	TL	HA <sup>3)</sup>	HA <sup>4)</sup>

## OTHER DIMENSIONS

VA: 1.37 WT: 1.40 HV<sup>5)</sup>: 1.03 HV<sup>6)</sup>: 1.01 RB: 0.79 SB: 1.84 TB<sup>7)</sup>: 2.46

1. Chassis and cab weight calculated with: Standard specification items only, less fuel, AdBlue and driver, tolerance  $\pm 3\%$ . Changing of the specification can have major impact on vehicle weight.
2. Cab height is measured from frame member to closed cabin roof hatch.

3. Unladen height at centre of driven axle(s).
4. Laden height at centre of driven axle(s).
5. Unladen height at centre of front axle(s).
6. Laden height at centre of front axle(s).
7. TB is overall width at rear. (At centre of front axle 250).

Note: All dimensions are in metres (m) and weights in kilograms (kg).

## CAB EXTERIOR

Space Cab with galvanised steel bumper, tinted glass and electric window openers. Main mirrors and wide angle mirrors electrically heated. Cab width 2490 mm; Cab suspension mechanical; LED head lights and daytime running lights; Central door lock system, Telescopic windscreen wiper and ice scraper. External sun visor green translucent; Air horns (Dual air horns with Super Space Cab); Fog lights and cornering lights; Skylights (with Super Space Cab).

### Optional

- Comfort Cab
- Super Space Cab

## AERODYNAMICS

- Adjustable roof air deflector (Space Cab)
- Side collars
- Fixed roof air deflector (Super Space Cab)

## COLOURS

Cab colour M8870 White; Head lamp panel and bumper colour M8870 White; Chassis colour black.

## CAB INTERIOR

Cab interior trim colour Dark Sand; Cab interior decoration Piano Black; Driver seat Super Air; Co-driver seat Super Air; Lower bunk mattress Xtra Comfort; Lower bunk with drawer 65 litres; Upper bunk; Automatic Cab Climate Control; Refrigerator; Pollen filter. Leather steering wheel.

### Optional

- Cab interior trim colour Exclusive
- Driver seat: Xtra Leather Air (Exclusive interior only)
- Leather steering wheel, Exclusive (Exclusive interior only)
- Co-driver seat: Xtra Leather Air (Exclusive interior only)

## COMMUNICATION AND DRIVING MANAGEMENT

AM/FM/DAB Premium Multimedia System with Bluetooth® phone and music streaming capability, navigation and PACCAR Connect telematics functionality, 2 x GSM antennas, 1 x GPS antenna, 1 x DAB radio antenna.

## SAFETY AND SECURITY

Adaptive Cruise Control (ACC); Forward Collision Warning (FCW); Advanced Emergency Braking System (AEBS-3); Lane Departure Warning System (LDWS); Vehicle Stability Control (VSC); Protective cab suspension and construction; Air bag (driver) and 2 seat belt tensioners; Reverse warning; Basic engine immobiliser system.

## SUSPENSION AND AXLES

Front: 1x 7,100 kg parabolic leaf springs.

Rear: 2x 9,050 kg, air suspension, SR1360T, Axle load monitoring.

## WHEELS AND TYRES

Front axle 1: 295/80R22.5; Rear axle 1: 11R22.5; Alcoa Dura-Bright alloy wheels.

### Optional

- Alcoa Brushed alloy wheels

## DRIVELINE

Engine MX-13, multi torque 6 cylinder diesel engine, 12.9 litres. Output 530 hp at 1,600 rpm, maximum torque 2,600 Nm at 900-1,125 rpm, Exhaust emission Euro 6, 5 minute engine idle shut down, ZF TraXon Automated gearbox, 16 speeds, Gearbox ratio 14.68-0.82, rear axle ratio 3.40, ASR.

## BRAKE SYSTEM

MX Engine Brake; Park brake control with test position; Ventilated disc brakes front and rear. Dual circuit air system with electronic control (EBS). Twin cylinder air compressor with heated dryer and economy mode.

### Optional

- ZF Intarder

## CHASSIS

Wheelbase 3.90 m / rear overhang 1.55 m; Side member height 310 mm; Exhaust pipe horizontal, low; Aluminium fuel tank 600 l and 400 l, height 700 mm; Rear mudguards; LED rear light unit; LED worklamp; Spray suppression; Front underrun protection (FUP); Catwalk with step; AdBlue tank 85 litres on left-hand mudguard; Battery box behind the cab; no spare wheel carrier.

## ELECTRICAL POWER SUPPLY

Alternator 80 A; Batteries 2x 230 Ah.

## GVM AND GCM

Chassis weight related technical GVM max 25,200 kg; Driveline related max GCM 70,000 kg.

## APPLICATION CONDITIONS

Cyclonic air intake behind the cab.

## VEHICLE WARRANTY

3 year / 750,000km warranty.



**COMFORT CAB**



**SUPER SPACE CAB**



**SPACE CAB**

DAF Trucks Australia  
66 Canterbury Road Bayswater VIC 3153  
Phone (03) 9721 1600