

# CF

## 370 | 410 | 450 Specification sheet

FAT 6X4 Rigid



*\*Some optional equipment maybe shown in this brochure.*

### ENGINES

CF 370 MX-11 (270 kW / 367 hp)
CF 410 MX-11 (300 kW / 408 hp)
CF 450 MX-11 (330 kW / 449 hp)

### GVM

25,200 kg

Max. front 7,100 kg

Max. rear 18,100 kg

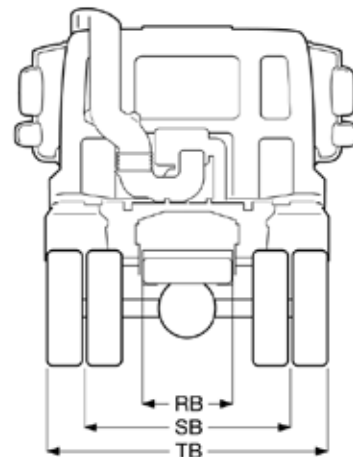
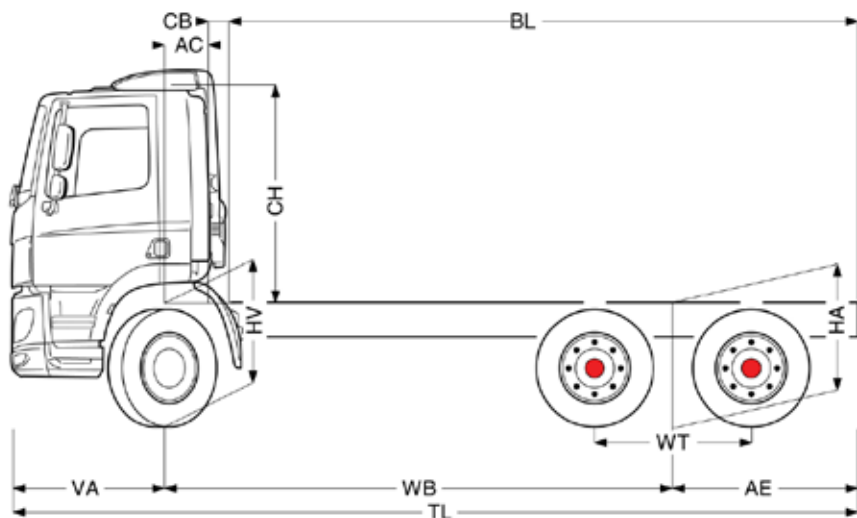
### GCM

60,000 kg

**THE DAF CF**  
PURE EXCELLENCE

**DAF**

# CF 370 | 410 | 450



	Wheelbase – AE		Unladen Weight <sup>1)</sup>			Variable Dimensions				
	WB	AE	Front	Rear	Total	AC	CB	BL	CH <sup>2)</sup>	TL
DAY CAB	4.05	2.20	4730	3270	8000	0.39	0.22	5.64	1.94	7.62
	5.00	3.00	4810	3580	8390	0.39	0.22	7.39	1.94	9.37
	6.00	3.60	4810	3600	8410	0.39	0.22	8.99	1.94	10.97
SLEEPER CAB	4.05	2.20	4810	3270	8080	0.82	0.22	5.21	1.94	7.62
	5.00	3.00	4890	3580	8470	0.82	0.22	6.96	1.94	9.37
	6.00	3.60	4890	3600	8490	0.82	0.22	8.56	1.94	10.97
SPACE CAB	4.05	2.20	4900	3270	8170	0.82	0.22	5.21	2.62	7.62
	5.00	3.00	4960	3580	8540	0.82	0.22	6.96	2.62	9.37
	6.00	3.60	4980	3600	8580	0.82	0.22	8.56	2.62	10.97

## OTHER DIMENSIONS

CB: 0.18    VA: 1.37    WT: 1.40    HV<sup>3)</sup>: 1.04    HV<sup>6)</sup>: 1.01    RB: 0.79    SB: 1.84    TB<sup>7)</sup>: 2.46

1. Chassis and cab weight calculated with: Standard specification items only, less fuel, AdBlue and driver, tolerance  $\pm 3\%$ . Changing of the specification can have major impact on vehicle weight.
2. Cab height is measured from frame member to closed cab roof hatch. With air intake on cab roof; add 0.14 m.

3. Unladen height at centre of driven axle(s).
4. Laden height at centre of driven axle(s).
5. Unladen height at centre of front axle.
6. Laden height at centre of front axle.
7. TB is overall width at rear.

Note: All dimensions are in metres (m) and weights in kilograms (kg).

## CAB EXTERIOR

Sleeper Cab with galvanised steel bumper, tinted glass and electric window openers; Cab width 2300 mm; External sun visor green translucent; LED head lights; Fog lights and cornering lights; Main mirrors and wide angle mirrors electrically heated and adjustable. Air horns (dual set with Space Cab), Skylights with Space Cab.

### Optional

- Day Cab
- Space Cab

## AERODYNAMICS

- Adjustable roof deflector
- Side collars

## COLOURS

Cab colour M8870 White; Head lamp panel and bumper colour M8870 White; Chassis colour black.

### Optional

- Other cab colours available

## CAB INTERIOR

Cab interior trim colour Dark Sand; Cab interior decoration Black Rock; Driver seat Luxury Air; Co-driver seat Basic; Lower bunk mattress Xtra Comfort; Automatic Cab Temperature Control; Roof hatch aluminium, manual control; Pollen filter. Refrigerator (Sleeper and Space cab only).

### Optional

- Leather steering wheel
- Exclusive cab interior trim colour
- Driver Seat: Xtra Leather Air (Exclusive interior only)
- Passenger Seat: Xtra Leather Air (Exclusive interior only)
- Third Seat (Day Cab only)
- Upper Bunk (Space Cab only)

## COMMUNICATION AND DRIVING MANAGEMENT

AM/FM/DAB Premium Multimedia System with Bluetooth® phone and music streaming capability, navigation and PACCAR Connect telematics functionality, 2 x GSM antennas, 1 x GPS antenna, 1 x DAB radio antenna.

## SAFETY AND SECURITY

Adaptive Cruise Control (ACC); Forward Collision Warning (FCW); Advanced Emergency Braking System (AEBS-3); Lane Departure Warning System (LDWS); Vehicle Stability Control (VSC); Protective cab suspension and construction; Air bag (driver) and 2 seat belt tensioners; Reverse warning; Basic engine immobiliser system.

## SUSPENSION AND AXLES

Front: 1x 7,100 kg parabolic leaf springs.

Rear: 2x 9,050 kg, air suspension, SR1360T, Axle load monitoring.

## WHEELS AND TYRES

Front axle 1: 295/80R22.5; Rear axle 1: 11R22.5;

Rear axle 2: 11R22.5; Alcoa Brushed alloy wheels.

### Optional

- Alcoa Dura-Bright alloy wheels

## DRIVELINE

Engine MX-11, multi torque 6 cylinder diesel engine, 10.8 litres. Output 450 hp at 1,600 rpm, maximum torque 2,300 Nm at 900-1,125 rpm, Exhaust emission Euro 6, 5 minute engine idle shut down, ZF TraXon Automated gearbox, 12 speeds, Gearbox ratio 12.92-0.77, rear axle ratio 3.40, ASR.

### Optional

- Engine; 370 hp / 1,900 Nm torque
- Engine; 410 hp / 2,100 Nm torque

## BRAKE SYSTEM

MX Engine Brake; Park brake control with test position; Ventilated disc brakes front and rear. Dual circuit air system with electronic control (EBS). Twin cylinder air compressor with heated dryer and economy mode.

## CHASSIS

Wheelbase 4.05 m / rear overhang 2.20 m; Side member height 310 mm; Exhaust pipe horizontal, low; Aluminium fuel tank 340 l, height 620 mm; LED rear light unit; Spray suppression; Front Underrun Protection System (FUPS); AdBlue tank 45 litres on left-hand chassis.

### Optional

- Exhaust pipe vertical, high

## POWER TAKE-OFF (PTO)

Various PTO types and positions.

## ELECTRICAL POWER SUPPLY

Alternator 80 A; Batteries 2x 175 Ah.

## GVM AND GCM

Chassis weight related technical GVM max 25,200 kg; Driveline related max GCM 60,000 kg.

## APPLICATION CONDITIONS

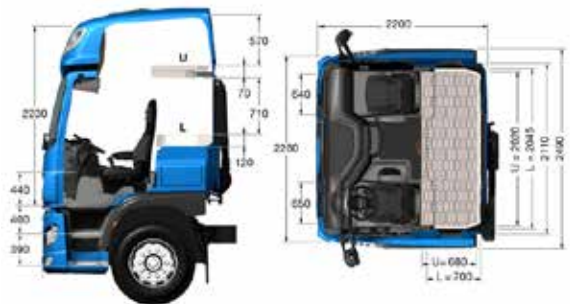
Cyclonic air intake behind the cab.

## VEHICLE WARRANTY

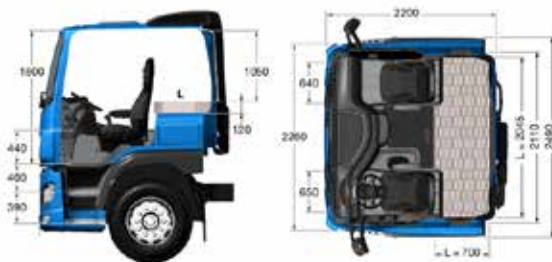
3 year / 750,000km warranty.



**DAY CAB**



**SPACE CAB**



**SLEEPER CAB**

DAF Trucks Australia  
66 Canterbury Road Bayswater VIC 3153  
Phone (03) 9721 1600